

FIG. 2

BASE STATION APPARATUS 200

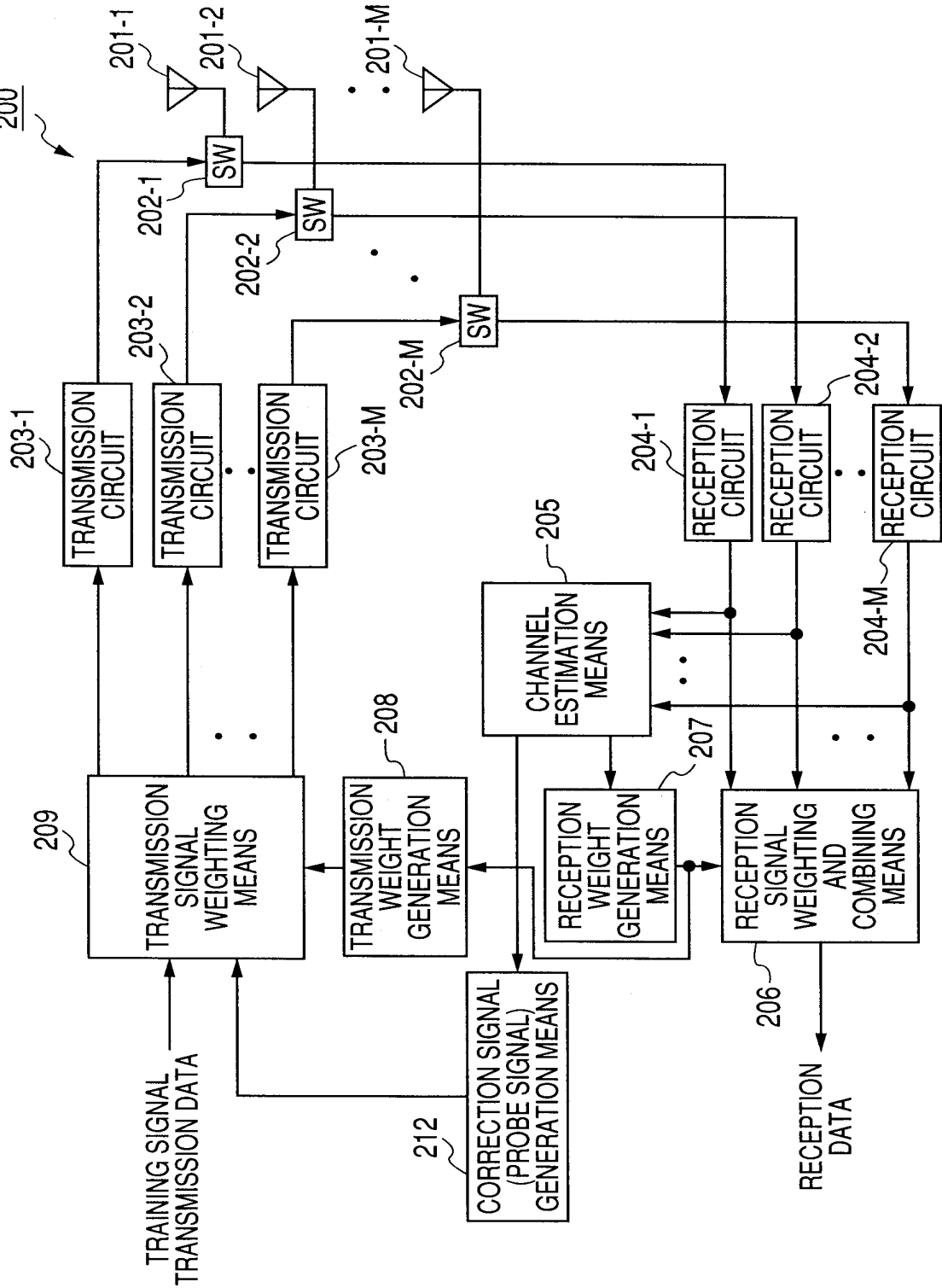


FIG. 3(a)

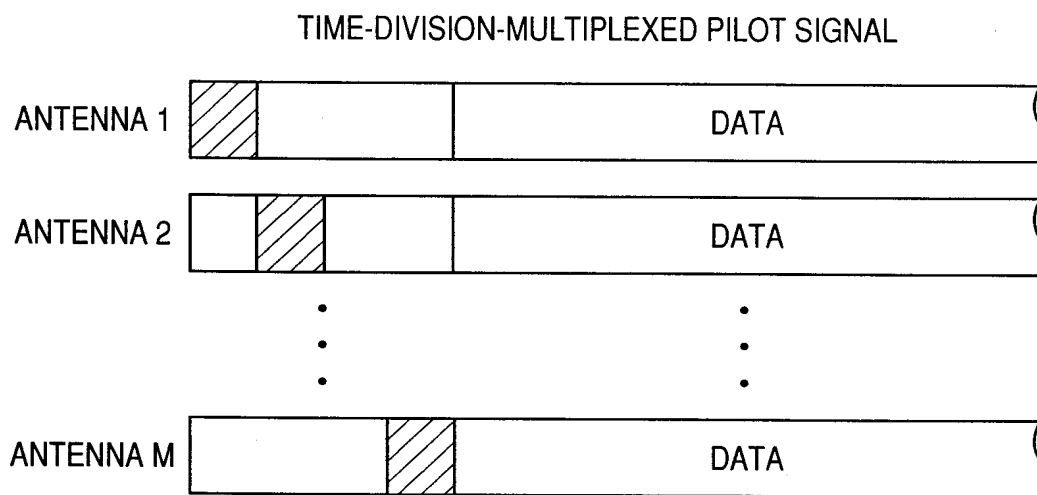


FIG. 3(b)

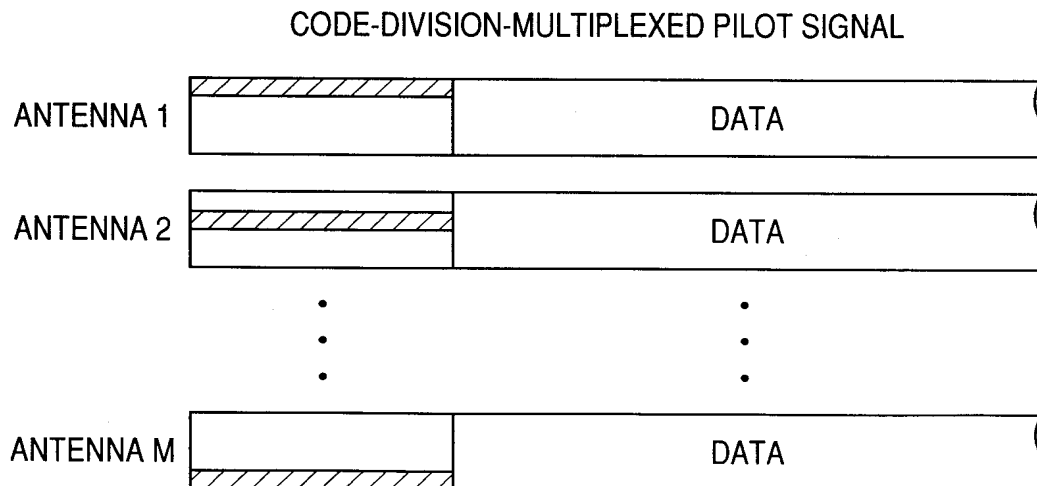


FIG. 4

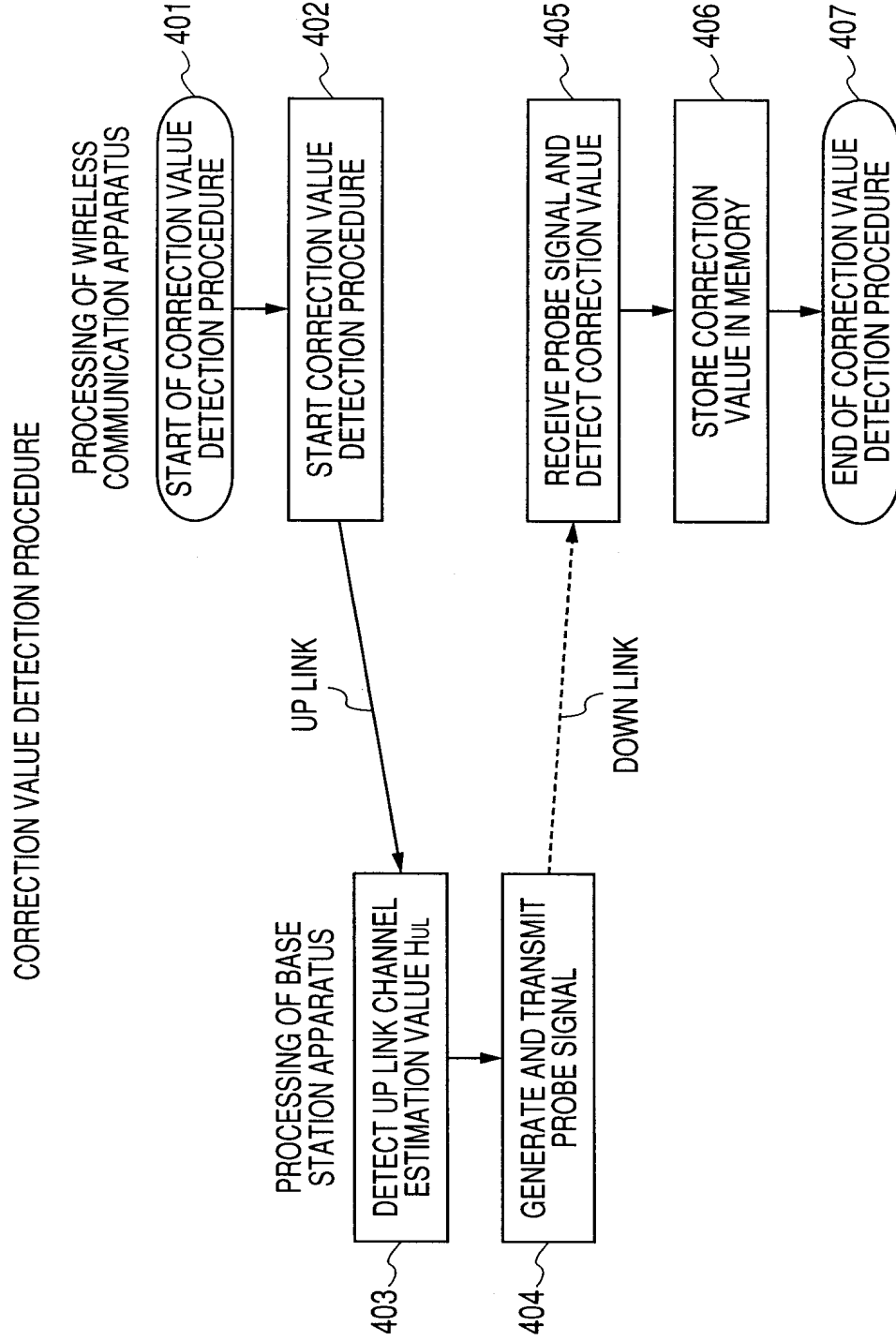


FIG. 5
WEIGHT GENERATION PROCEDURE
IN BASE STATION APPARATUS

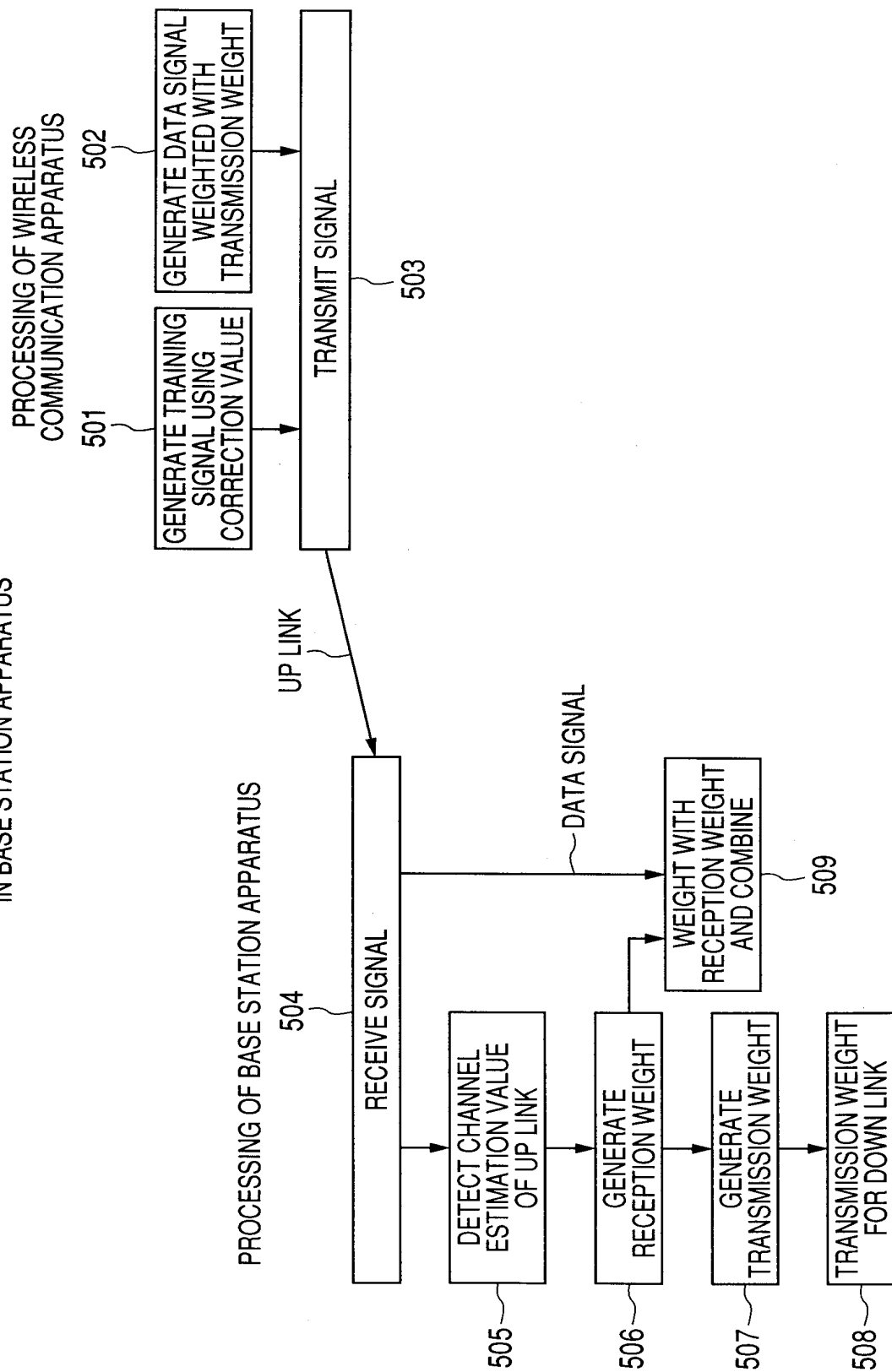


FIG. 6

WEIGHT GENERATION PROCEDURE IN WIRELESS COMMUNICATION APPARATUS

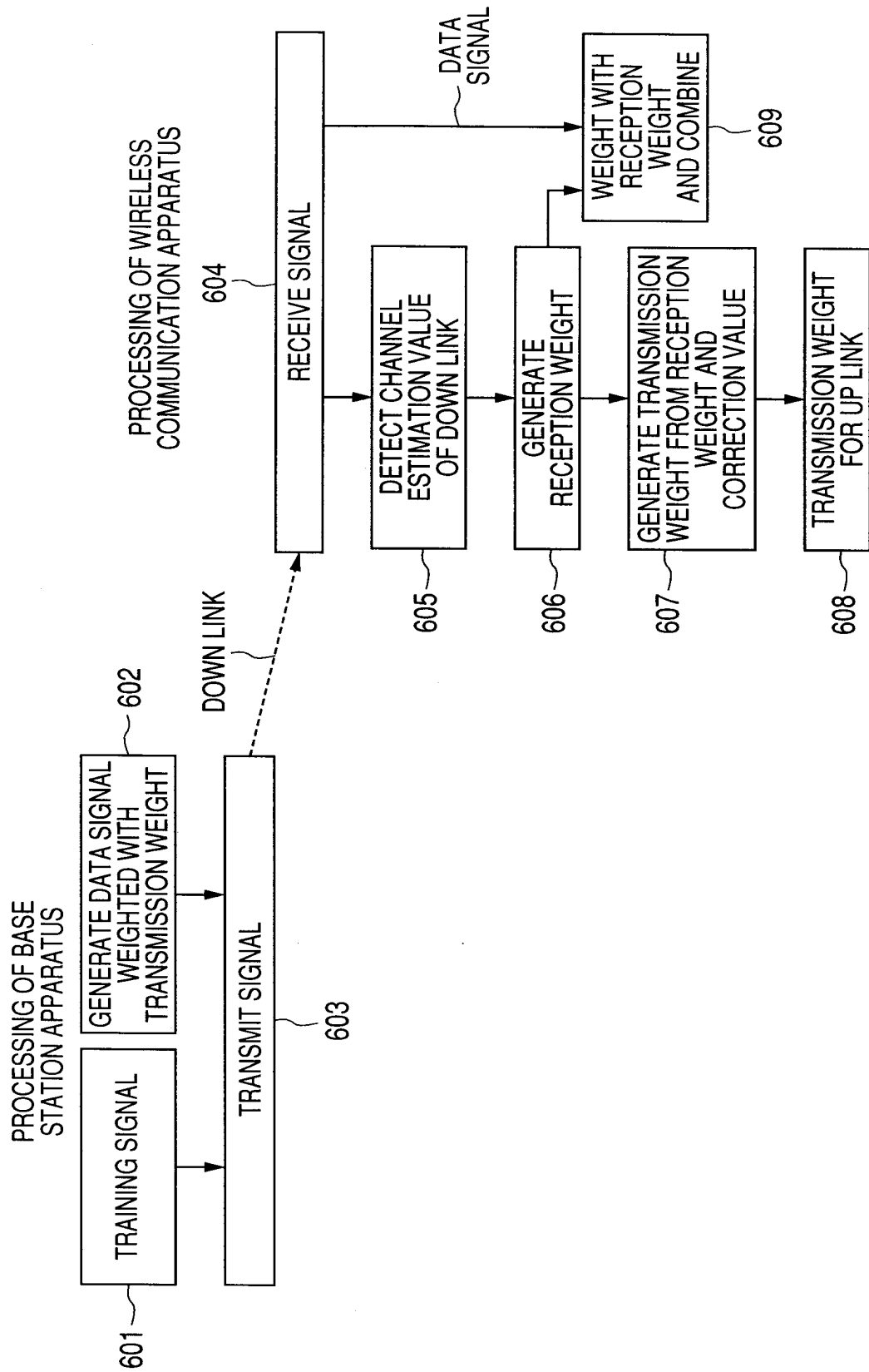


FIG. 7

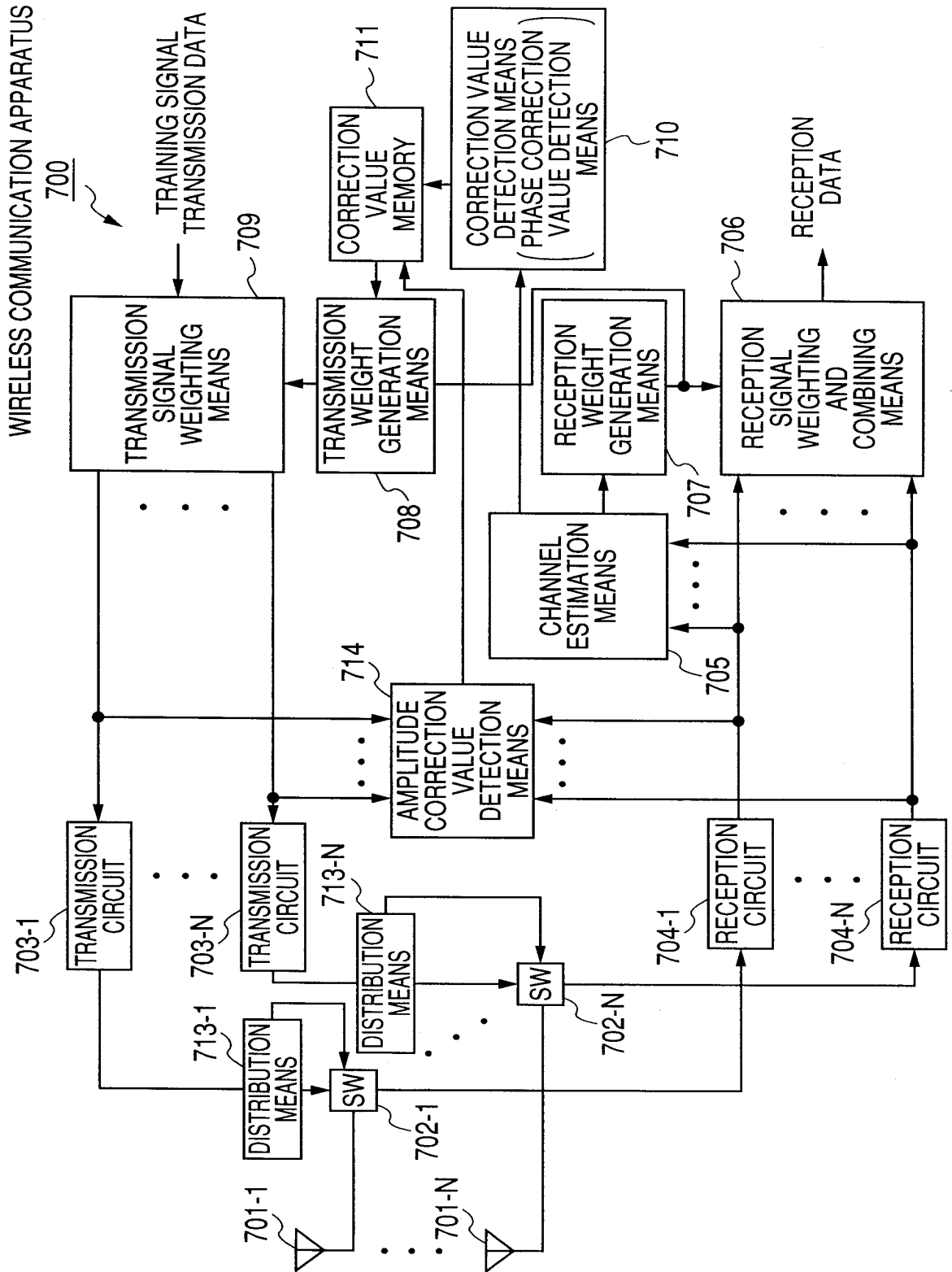
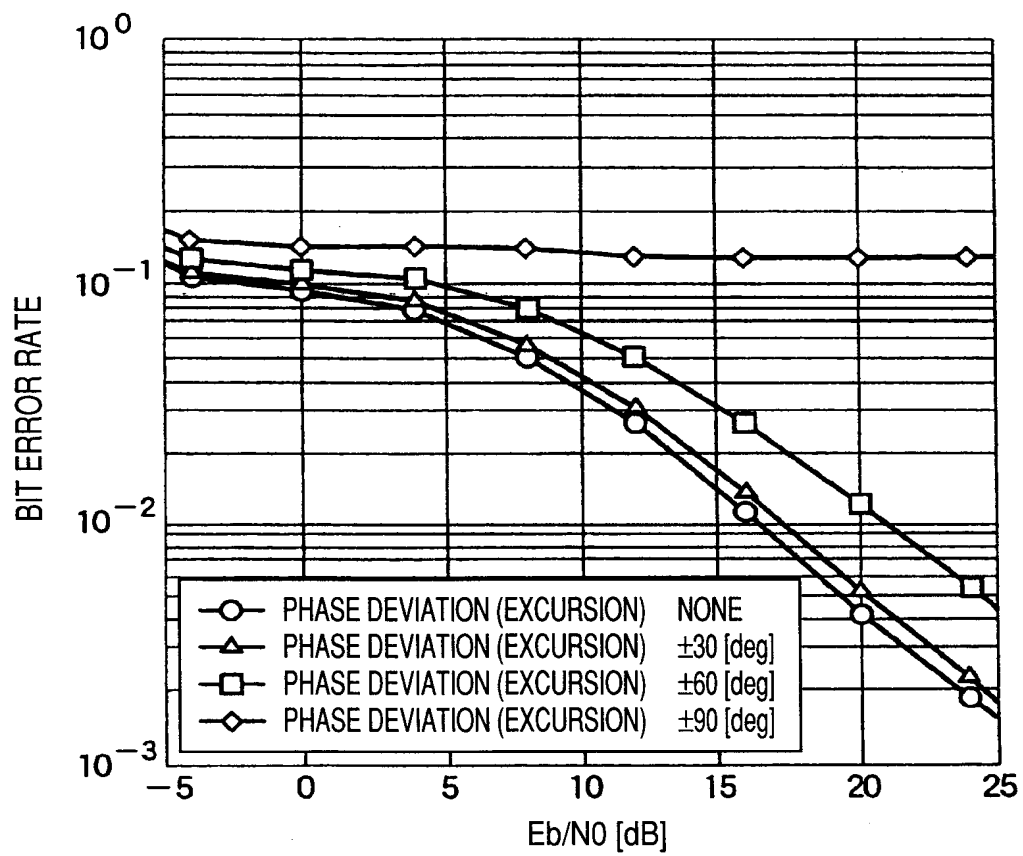


FIG. 8

RECEPTION CHARACTERISTIC FOR E_b/N_0